


# AA HAND- AND HAIR DRYER 100

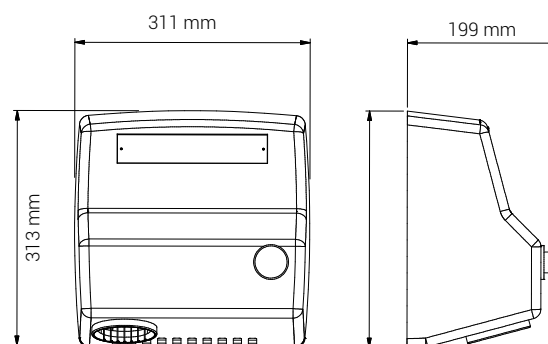
Pushbutton and electronic timer  
Extremely sturdy and vandal-resistant  
5-year warranty



Extremely sturdy and vandal-resistant all-round hand and hair dryer. The machine comes with a 5-year guarantee - covering even cases of vandalism.

## Technical data

<b>Type</b>	<b>AA HAND- AND HAIR DRYER</b> Prod. No.: 100  Warm-air hand and hair dryer with pushbutton
<b>Dimensions</b>	H: 313 mm x B: 311 mm x D: 199 mm
<b>Material</b>	4 mm die-cast aluminium
<b>Drying cycle</b>	25 - 170 sec.
<b>Connection</b>	230 V, 50/60 Hz, Class I 
<b>Total wattage</b>	2360 W
<b>Standby wattage</b>	1,4 W
<b>Heating element</b>	2250 W
<b>Motor</b>	110 W
<b>Noise level</b>	62 dBA
<b>Max. air volume</b>	72 l/sek.
<b>Max. air capacity</b>	20,5 m/sek.
<b>Max. air outlet temperature</b>	65° C
<b>Net weight</b>	7 kg
<b>IP rating</b>	IP23
<b>Tender text</b>	White-painted hand/hair dryer with housing in 4 mm diecast aluminium, pushbutton and electronic timer with infinitely adjustable control of drying cycle, drying cycle 25-170 sec., IP23, 230 V, 50/60 Hz, 2360 W, Class I (earthed). 62 dBA. Net weight: 7 kg. H: 313 mm x B: 311 mm x D: 199 mm



## Application

DAN DRYER type AA is suitable for all types of toilets and changing rooms available to the public. The model is extremely suitable both as a hand and hair dryer.

## References

Offices and administration, shopping malls, restaurants, hotels, airports, sports facilities and public swimming pools, schools, public institutions and cultural centres.

## Standard colour

White, RAL 9012, gloss 80.  
Also available in any RAL classic colour.

## Motor type

Brushless induction motor with radial fan. Sealed ball bearings. Protected against moisture.

## Activation

Pushbutton and electronic timer with infinitely adjustable control of drying cycle.

## Protection

Automatic thermal cut-out in motor and heating element.

## Installation

Machine intended for wall-mounting and fixed installation via circuit-breaker. Installation must be carried out by a qualified electrician.

## Approval

